

BWB SERIES

BASKET WITH BAG FILTERS

FOR MICRO OR DRIP IRRIGATION

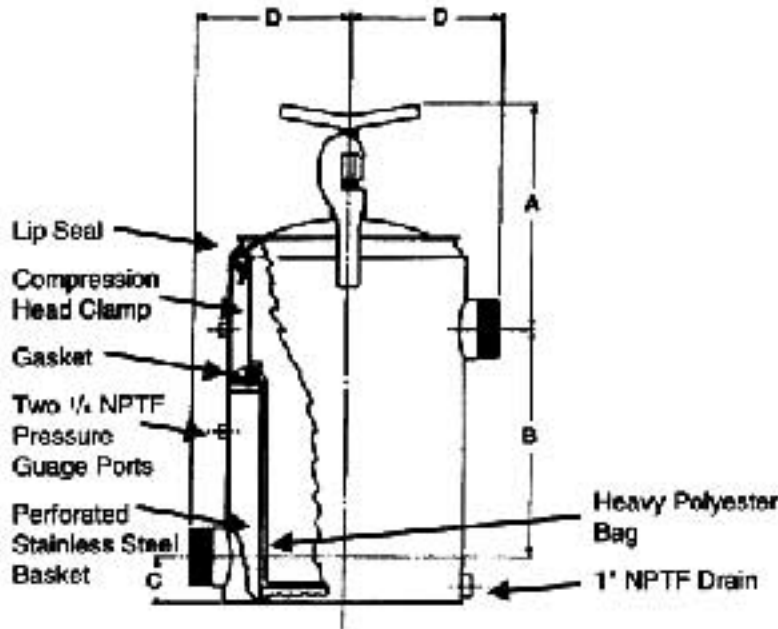


S/N	Assy #	Filter Area Capacity		INLET	OUTLET	A	B	C	D	E	F	REPLACEMENT BAG #
		Sq. Inches	GPM									
3	CA 483	456	300	3	3	13 1/2	13 1/2	8	10	—	—	B 3532
4	CA 484	644	450	4	4	13 1/2	19 1/2	3	11	—	—	B 3533
6	DA 485	1084	800	6	6	15	—	13	11	17 3/4	25 1/2	B 3534
8	DA 486	1597	1000	8	8	15	—	13	11	27	38 3/4	B 3535

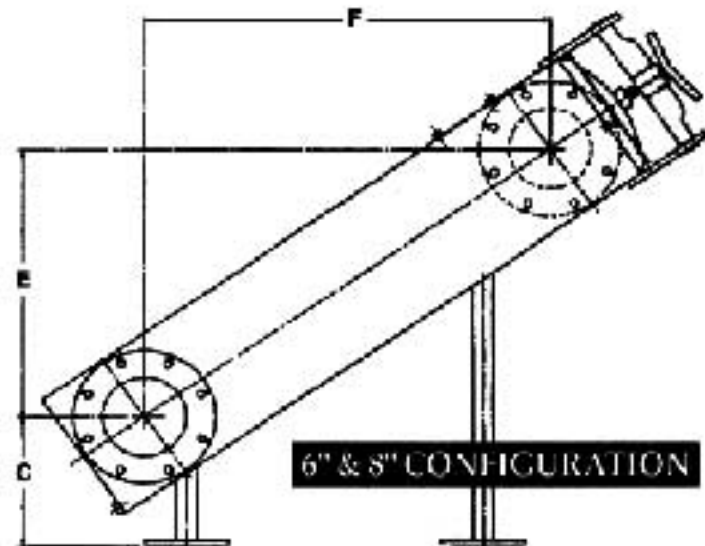
Maximum pressure rating 80 PSI

MODEL 1: MALE PIPE CONNECTIONS

MODEL 3: PIPE FLANGE CONNECTIONS



3" & 4" CONFIGURATION



6" & 8" CONFIGURATION



460 McLaughlin Road
Yakima, Washington 98908
(509) 965-3333
Fax (509) 965-9309
1-800-333-5246

OPTIONS

- Groove lock inlet & outlet available
- 1/16 diameter perforated basket standard. Other baskets available
- Other units with custom features or configurations are available
- Baskets available in several μ sizes

FEATURES

- Exceptionally large filtering area provides very low pressure drop through the filter
- Easy removable head
- Very simple bag and basket removal and replacement
- Positive gasket seal for basket and bag to filter body